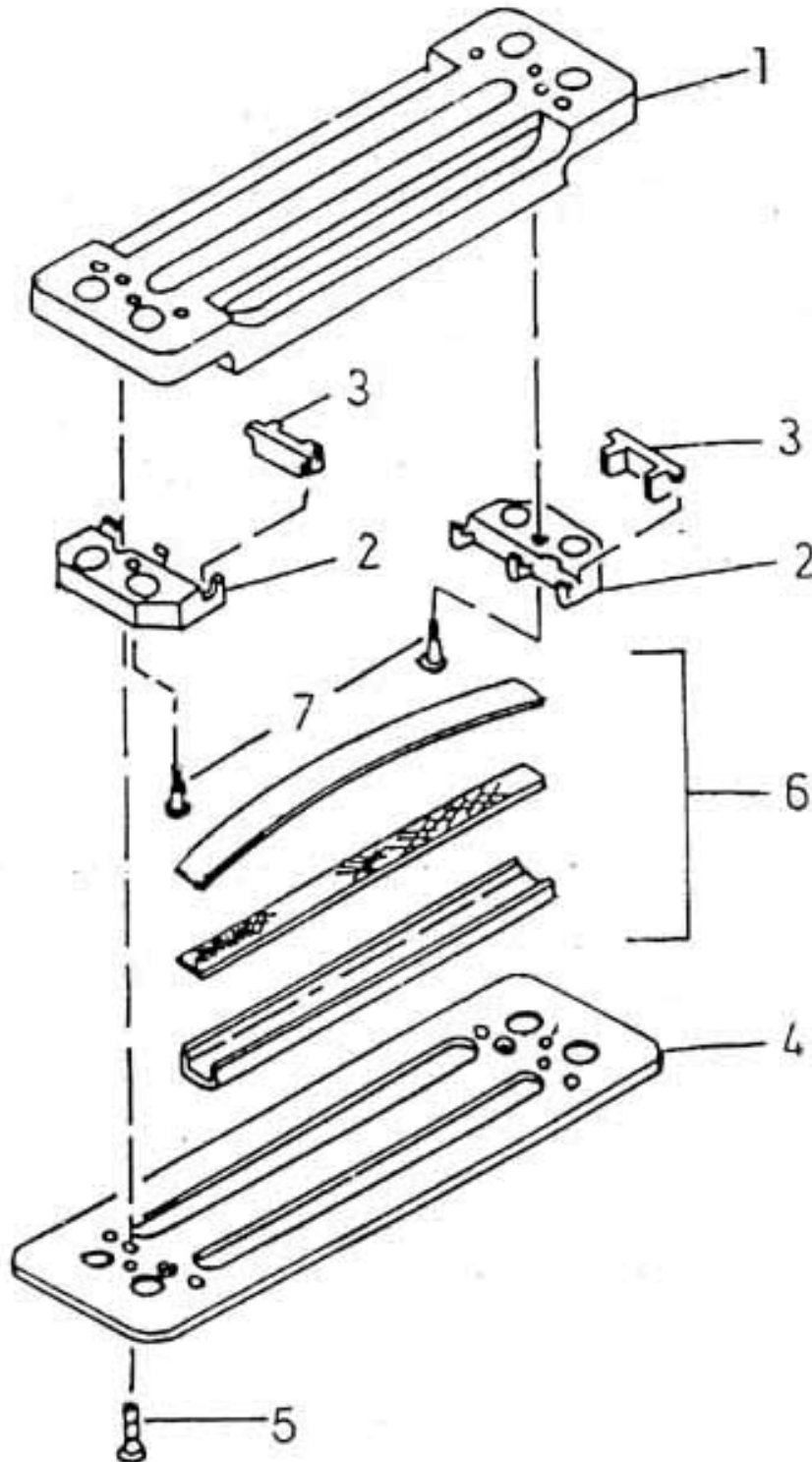


24. VALVE DISCHARGE - MODEL 8 x 7 NL



All manufacturer's names, numbers, photos, product description and/or part numbers are used for reference purposes only & it is not implied that any part listed is the product of these manufacturers. Since Approvement are made from time to time, the illustration and specifications are subject to change without notice.

24. VALVE DISCHARGE - MODEL 8 x 7 NL

No.	Description	Ref Part No.	QTY
–	Valve Discharge	70264288	–
1	– Stop Plate	70210398	1
2	– Holder Guide	37025517IM	2
3	– Guide Valve	37041324	6
4	– Seat Plate	37020567IM	1
5	– Screw Machine	95110763	2
6	– Channel & Spring Set	37020617IM	1
7	– Screw Guide	31208549IM	4
–	Holder Guide Centre	–	1